

# SE-102-N

## Outdoor Signage Player

Intel® Atom™ x7/x5, Pentium® & Celeron® SoC Fanless Signage Player with Dual HDMI



SE-102-N VIDEO

## Specifications

System Mainboard	MBD102
CPU	Intel® Atom™ x7/x5, Pentium® & Celeron® Processor
CPU Socket	FCBGA1296
Chipset	Integrated in Intel® SoC
Memory	2x 2GB DDR3L, Non-ECC, dual Channel, Max. 8GB (Non-ECC, Unbuffered) DDR3L-1600 for N3350 only
Graphics	Intel® HD graphics 505
LAN	1x Intel® I210IT Gigabit LAN controller for EXXXX series 1x Intel® I211AT Gigabit LAN controller for NXXXX series
Expansion Slots	1x Mini PCI-E (full-size) for Wi-Fi, Bluetooth or 4G options 1x SIM card slot
I/O Interface	2x HDMI 1.4b with hardware EDID emulation 3x USB 3.0 port 1x RJ45 for Gigabit LAN 1x RJ45 for RS232 serial port 1x Audio connectors for / Line-out Power / HDD LED, 1x power on / off button 1x DC jack
Auto Control and Monitoring	Watchdog Timer: 256 segments, 0, 1, 2...255 (sec/min)
Power Requirement	+12V DC
Construction	Aluminum + SGCC
Weight	0.9 kgs (1.98 lbs)
Chassis Color	Black and white
Storage	1x mSATA
Power Supply	60W power adaptor
Mounting	Standard system bracket
Dimensions	190mm(W) x 130mm(D) x 19.5mm(H) 7.48"(W) x 5.12"(D) x 0.77"(H)
Operating Temperature	-40°C~70°C (-40°F~158°F) for Exxxx CPU 0°C~ 45°C (32°F~113°F) for Nxxxx CPU
Storage Temperature	-40°C ~ 110°C (-40°F~230°F)
Relative Humidity	5%~90% @45oC (non-condensing)
Vibration	SSD: 5 grms / 5~500Hz / random operation
Certification	CE, FCC class B, cULus & CCC
Operating System	Windows10 / Linux

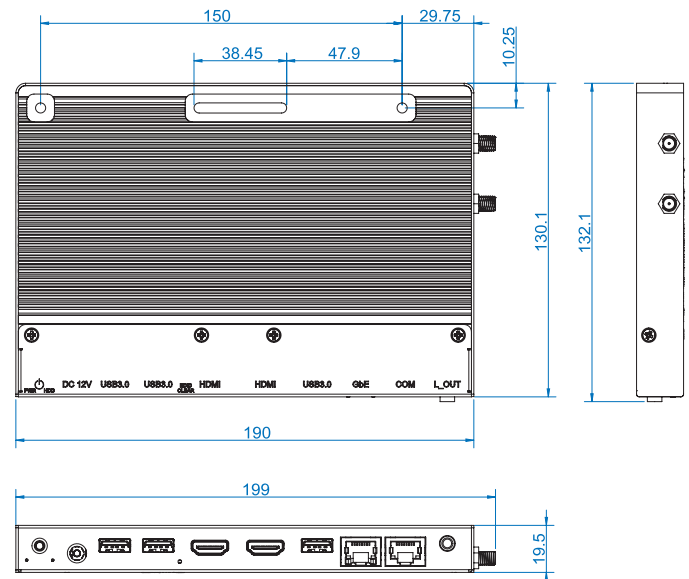
## Features

- iSMART - for EuP/ErP power saving, auto-scheduling and power resume
- Intel® Atom™ Processor x7-E3950 2.0GHz
- Intel® Pentium® N4200 2.5GHz or Celeron® N3350 2.4GHz
- Intel® HD graphics 505
- 2x 2GB DDR3L, Non-ECC, dual Channel, Max. 8GB (Non-ECC, Unbuffered) DDR3L-1600 for N3350 only
- 2x HDMI 1.4b, 1x Mini PCI-E (full-size) for Wi-Fi, Bluetooth or 4G LTE options
- Fanless, super slim and compact design
- Wide-range operating temperature from -40°C to 70°C

## Ordering Information

SE-102-N	Signage Player with Intel® Atom™ x7 / E3950 (1.6~2.0GHz); 2x 2GB DDR3 SO-DIMM RAM, 64GB mSATA, and 60W power adaptor. (Operating temperature: -40°C~70°C is not supported by the adaptor)
SE-102-N420	Signage Player with Intel® Pentium® N4200 (1.1~2.5GHz); 2x 2GB DDR3 SO-DIMM RAM, 64GB mSATA, and 60W power adaptor. (Operating temperature: 0°C~45°C)
SI-MK1	Mounting bracket for SI-06/08/12/18/22/SE-102-N series

## Dimensions



Remarks: 1. Specifications are subject to change without prior notice. 2. ODM/OEM is available. 3. For user's manual & datasheet download, visit [www.ibase.com.tw](http://www.ibase.com.tw).



IBASE