

SI-623-N

Mid-Range Digital Signage Player

7th/6th Gen Intel® Core™ Mobile processor-based Signage Player with Integrated Intel® HD Graphics 530 and Three HDMI



SI-623-N VIDEO



Features

- iSMART - for auto-scheduling and power resume
- iAMT(11.0), TPM1.2, vPro and watchdog timer
- 7th/6th Generation Intel® Core™ mobile processor
- Integrated Intel® HD Graphics 530
- 2x DDR4-2133 SO-DIMM, dual channel, Max. 32GB
- 1x HDMI 2.0 + 2x HDMI 1.4 with independent audio output
- Built-in hardware EDID emulation function
- 1x M.2 B key(3042) for storage or 4G LTE options
- 1x M.2 M-Key(2280) for storage
- 1x Mini PCI-E(full-size) for Wi-Fi, Bluetooth or 4G LTE
- Compact and fanless design

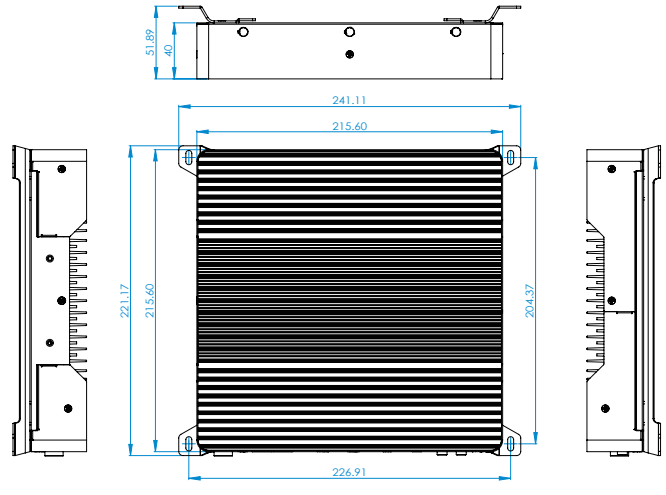
Specifications

System Mainboard	MBD623
CPU Type	7th/6th Generation Intel® Core™ mobile processor TDP <=35W
CPU Socket	FCBGA1440
Chipset	HM170/ QM170 PCH
Memory	2x DDR4-2133 SO-DIMM, dual channel, Max. 32GB
Graphics	Integrated Intel® HD Graphics 530
LAN	1x Intel® I219LM Gigabit LAN controller for QM170 1x Intel® I219V Gigabit LAN controller for HM170
Expansion Slots	1x M.2 B key (3042) for storage or 4G LTE options 1x M.2 M-Key (2280) for storage 1x Mini PCI-E (full-size) for Wi-Fi, Bluetooth or 4G options 1x SIM card slot
I/O Interface	1x HDMI 2.0 + 2x HDMI 1.4 with hardware EDID emulation 2x USB 3.0, 2x USB 2.0 1x RJ45 for Gigabit LAN 1x RJ45 for RS-232 serial port 2x Audio connectors for Mic in / Line out Power / HDD LED, 1x power button 1x power jack connector
Auto Control and Monitoring	Watchdog Timer: 256 segments, 0, 1, 2...255 (sec/min)
Power Requirement	+12V DC
Construction	Aluminum + SGCC
Weight	2.4 kgs (5.29 lbs)
Chassis Color	Black and white
Storage	1x 2.5" SATA HDD/SSD
Power Supply	84W power adaptor
Mounting	Slim design with wall mounting holes
Dimensions	215.6mm(W) x 215.6mm(D) x 40mm(H) 8.49"(W) x 8.49"(D) x 1.57"(H)
Operating Temperature	0°C ~ 45°C (32°F ~ 113°F)
Storage Temperature	-20°C ~ 80°C (-4°F ~ 176°F)
Relative Humidity	5%~90% @45°C (non-condensing)
Vibration	SSD: 5 grms / 5~500Hz / random operation
Certification	CE, FCC class B, VCCI, cULus & CCC
Operating System	Win7 64-bit, Win8.1 64-bit & Win10 64-bit Enterprise, Linux Fedora / Ubuntu 64-bit (Installation)

Ordering Information

SI-623-N	Book-Size Signage Player with MBD623 Intel® Core™ i7-6822EQ Processor (8M Cache, up to 2.80 GHz), 2x 4GB DDR4 2133 SO-DIMM memory, 2.5" SATA SSD 128GB and 84W power adaptor
SI-MK3A	Mounting bracket for SI-304/SI-122-N/SI-313/SI-313-N/SI-324/SI-613/SI-623 series

Dimensions



Remarks: 1. Specifications are subject to change without prior notice. 2. ODM/OEM is available. 3. For user's manual & datasheet download, visit www.ibase.com.tw.

