

# SE-102-N

## Outdoor / In-Vehicle Digital Signage Player

Intel® Atom™ x7/x5, Pentium® & Celeron® SoC Fanless Signage Player with Two HDMI



### Features

- iSMART - for EuP/ErP power saving, auto-scheduling and power resume
- Intel® Atom™ Processor x7-E3950 @ 2.0GHz
- Intel® Pentium® N4200 @ 2.5GHz or Celeron® N3350 @ 2.4GHz
- Intel® HD Graphics 505
- 2x DDR3L-1866 SO-DIMM, Dual Channel, Max. 8GB(Non-ECC) DDR3L-1600 for N3350 only
- 2x HDMI 1.4b
- 1x Mini PCI-E(full-size) for Wi-Fi, Bluetooth or 4G LTE options
- Fanless, super slim and compact design
- Wide-range operating temperature from -40°C to 70°C

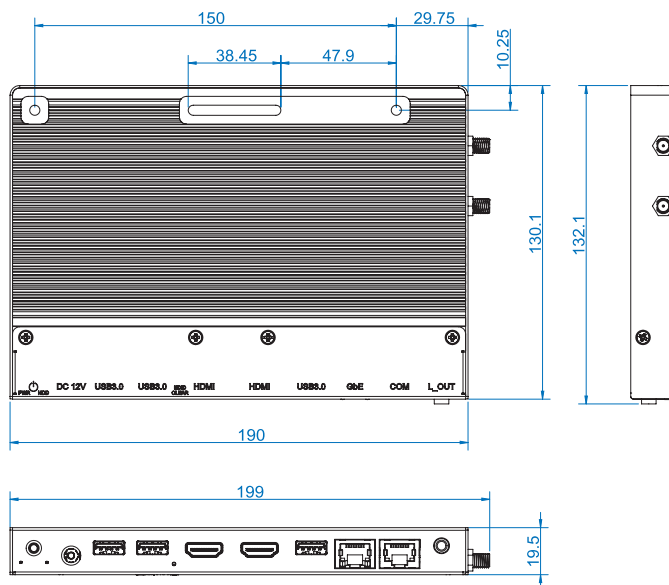
### Specifications

|                             |   |
|-----------------------------|---|
| System Mainboard            | MBD102  |
| CPU Type                    | Intel® Atom™ x7/x5, Pentium® & Celeron® Processor   |
| CPU Socket                  | FCBGA1296   |
| Chipset                     | Integrated in Intel® SoC  |
| Memory                      | 2x DDR3L-1866 SO-DIMM, Dual Channel, Max. 8GB (Non-ECC)<br>DDR3L-1600 for N3350 only  |
| Graphics                    | Intel® HD Graphics 505  |
| LAN                         | 1x Intel® I210IT Gigabit LAN controller for EXXXX series<br>1x Intel® I211AT Gigabit LAN controller for NXXXX series  |
| Expansion Slots             | 1x Mini PCI-E(full-size) for Wi-Fi, Bluetooth or 4G options<br>1x SIM card slot   |
| I/O Interface               | 2x HDMI 1.4b with hardware EDID emulation<br>3x USB 3.0 port<br>1x RJ45 for Gigabit LAN<br>1x RJ45 for RS232 serial port<br>2x audio connectors for Line-in / Line-out<br>Power / HDD LED, 1x power on/off button<br>1x DC jack |
| Auto Control and Monitoring | Watchdog Timer: 256 segments, 0, 1, 2...255 (sec/min)   |
| Power Requirement           | +12V DC   |
| Construction                | Aluminum + SGCC   |
| Weight                      | TBD   |
| Chassis Color               | Black and white   |
| Storage                     | 1x mSATA  |
| Power Supply                | 60W power adaptor   |
| Mounting                    | TBD   |
| Dimensions                  | 190mm(W) x 130mm(D) x 19.5mm(H)<br>11.81"(W) x 5.12"(D) x 0.77"(H)  |
| Operating Temperature       | -40°C~70°C (-40°F~158°F) for Exxxx CPU<br>0°C~ 45°C (32°F~113°F) for Nxxxx CPU  |
| Storage Temperature         | -30°C ~ 80°C (-22°F~176°F)  |
| Relative Humidity           | 5%~90% @45oC (non-condensing)   |
| Vibration                   | SSD: 5 grms / 5~500Hz / random operation  |
| Certification               | CE, FCC class B, cULus & CCC  |
| Operating System            | Windows10 / Linux   |

### Ordering Information

|             |   |
|-------------|---|
| SE-102-N    | Signage Player with Intel® Atom™ x7 / E3950 (1.6~2.0GHz), 1x 4GB DDR4 SO-DIMM RAM, 64GB mSATA, and 60W power adaptor. (Operating temperature : -40~70C support is not included the adaptor) |
| SE-102-N420 | Signage Player with Intel® Pentium® N4200 (1.1~2.5GHz); 1x 4GB DDR4 SO-DIMM RAM, 64GB mSATA, and 60W power adaptor. (Operating temperature : 0~45C)   |
| SI-MK1      | Mounting bracket for SI-06/08/12/18/22/SE-102-N series  |

### Dimensions



Remarks: 1. Specifications are subject to change without prior notice. 2. ODM/OEM is available. 3. For user's manual & datasheet download, visit [www.ibase.com.tw](http://www.ibase.com.tw).

**IBASE**